

dye 4 ph [k&; k vFkkus veyctko.kh gks; kl kBh l oā Fke j kT; krhy l oZ ykd i kf/kdkjh ; kph ; knh i fl/n dj .ks vko'; d vkgs dkskrhgh l aFkk th ?kVusud kj] , [kk|k dk; | kud kj vFkok fu; e fdok 'kkl fd; vknSkk ud kj LFkkfir dj .; kr vkyh vkgs vFkok th 'kkl ukP; k ekydhph fdok 'kkl ukus fu; akhr dssyh vFkok 'kkl ukdMwu T; k l aFksy i j d k fu/kh i klr gkrks vkgs v'kk l oZ l aFkkauh ekfgrhpk vf/kdkj vf/kfu; e 2005 ps dye 4 vrxr vki .kgw ekfgrh i fl /n dj .ks gh ; knh i R; d l pkyuky; foHkkxkdMwu i fl /n gksksca/kudkj d vkgs

dye 2 , p ueqk (v)

ekfgrhpk vf/kdkj vf/kfu; e 2005 vlo; sfoHkkxokj ykd i kf/kdkjh ; kph ; knh- 'kkl fd; foHkkxkpsuko & oSj fd; f'k{k.k o vkSk/kh nD; sfoHkkx] eakky;] epb32

dye 2 (, p) a/b/c/d

vuqdz	ykd i kf/kdkjh l aFkk	l aFkk i edkps i nuke	fBdk.k\$ i Rrk
1)	vf/A'Bkrkj 20 'A:; k vk; pñ d{A l l w l okā pkj j Q.Ay;} i qAs	vf/A'Bkrkj l l w l okā pkj j Q.Ay;} i qAs	vf/A'Bkrkj 20 'A:; k vk; pñ d{A l l w l okā pkj j Q.Ay;} i qAs

dye2, p ueqk (c)

'kkl ukdMwu i j d k fu/kh i klr ykd i kf/kdkjh l aFkkph ; knh- %& fuj d

'kkl fd; foHkkxkpsuko & oSj fd; f'k{k.k o vkSk/kh nD; sfoHkkx] eakky;] epb32 dye 2 (h) (i) (ii) vrxr

v-dz	ykd i kf/kdkjh l aFkk	l aFkk i edkps i nuke	fBdk.A\$ i Rrk
fuj d	fuj d	fuj d	fuj d

I x.f.kdj .kkl kBhpK d#h vkj k[kMk

dye 4 (1) (a) vuq kj I x.khdj .kkOnkjs d#h vkj k[kMk r; kj dj .ks mi yC/k
I k/kul keqhpK mi ; ks dj u i R; d ykd i kf/kdkjh I kFkkuh i qhy ekxñ'kd I pukp
oki j dj u vfHky [kkps I x.khdj .kkpk d#h vkj k[kMk r; kj dj kok-

d#h vkj k[kM; kl kBhP; k ekxñ'kd I puk &

- I x.khdj .kkps rhu Vli s &
 - dye 4 vaxr vfuok; Zi dk'kukps dk; Z
 - egRokP; k ykd kfHke [k foHkkxkP; k dk; i zkkyhph ekfgrh I x.khd# dj .ks
 - mojj hr ekfgrhps I x.kdhdj .k-
- I x.khdj .kkps fofo/k Vli s
 - fof'k"V fo"K; kps i k/kkU; kus I x.kdhdj .k-
 - I x.kdhdj .kkl kBh vkffkd rj rñ-
 - I x.kdhdj .kkl kBh dkyko/kh fuf'pr dj .ks

dye 4 (1) (b) (i)

i qAs ; fkyh vf/'Bkrk] 20 'A; k vk; pñ d{A l l w l oki pkj j Q.Ay;} i qAs
dk; kzy; krhy dk; fo drD; s; kpk ri 'khy

dk; kzy; kpsuko & vf/'Bkrk] 20 'A; k vk; pñ d{A l l w l oki pkj j Q.Ay;} i qAs

i Rrk & 20 'A; k vk; pñ d{A l l w l oki pkj j Q.Ay;} i qAs

dk; kzy; i ed[k & vf/'Bkrk] 20 'A; k vk; pñ d{A l l w l oki pkj j Q.Ay;} i qAs

'kkl fd; foHkkxkpsuko & oSj fd; f'k{k.k o vksk/kh nD; sfoHkkx] eakky;] ecbz

dk; kR; k eakky; krhy [kR; kP; k vf/kuLr & oSj fd; f'k{k.k o vksk/kh nD; s foHkkx] eakky;] ecbz

dk; ksk%& i qAs HkSkkyhd & \$dk; kLuj Qi &&&&&

fok'B dk; L & 'kl fd; Lrjkoj ckg; j Q.A o vkrj j Q.A d{kr vk; pñh; fpdfRI k
i/nrhud kj fpdfRI k o i pdezmi pkj dj .As

foHkkxkps/; s \$/kkj .k %&

/; s %& vk; pñh; 'kl_Ar l dAsAu o fpdfRI k dj .As

/kij .A%& 1) 'kl fd; Lrjkoj hy vk; pñh; fpdfRI pk ykHA rGkxkGkrhy tklrhr
tkLr ykoka ; r i kskpfo.As

2) fuj fuj kG; k 0; kf/Aoj l dAsAu dj .As

3) j kx gkop u; so j kx >AY; kl ; k nkgih kBh vk; pñh; fpdfRI ud kj
vkgkj] fogkj knhoj l eqnsAu dj u fpdfRI k dj .As xjt i MY; kl
i pdekai pkj kl kBh mi dekph ; kstuk dj .As

/kij .A %& vk; pñ 'kkl_kkpk turs tklrhr tklr ykHk Ogkok gsi ed[k /; s vkgS

/kkj .k & vk; pñ 'kkl_kkpk i l kj \$i pkj turs ; Dr dj u vf/kd R; kpk fodkl ?KMfo.kS

l oZ l ed/kr depkj h & , dwk 18 depkj h (oxZ&4 rsoxZ& 2)

dk; L & ckg; o vkrj j Q.A foHkkxkrhy j Q.Aoj vk; pñ 'kl_Aud kj fpdfRI k o i pdez
mi pkj dj .As

dkekps folr= Loj Qi %& vk; pñ 'kl_Aud kj ckg; o vkrj j Q.A foHkkxkrhy dk; hd o
ekuf l d j Q.Aoj mi pkj dj .As xjt i MY; kl i pdekai pkj dj .As o R; kph mi ; kxhkrk
turs ekj vk.A.As i l xh xjt i MY; kl vk/Aud o vk; pñ 'kl_AP; k fpdfRI pk
ryukRed vH; kl dj .As vk; pñ 'kl_A fpdfRI k rRokud kj vktkj kph dkj .As &
vkgkj] fogkj o 0; k/h fo"A; h l eqnsAu dj u vktkj gkop u; s ; kl kBh l Yyk nsAs
; kl kBh vkrj j Q.A d{kr 20 [kV k mi yC/A vkgr-

ekyerRp k ri 'khy 'kl fd; bekjr bekjr h o tkxpk ri 'khy & ckg; j Q.A
foHkkx] l l w l oki pkj j Q.Ay; kps ed; ckg; j Q.A foHkkxkr dz 58 ; fA foHkkxkps

ekfgrhpk vf/Adkj d{A] ; 'h k

dk; kzy; ckyd j Q.ky; karhy rGetY; koj dk; j r vkgs o vkarj j Q.A foHkx] l l u j Q.ky; kps t q; k bekj rhr d{A dz 26&, e/; sdk; j r vkgs

mi yC/A l ok %

- 1) ckg; j Q.A foHkx
- 2) vkarj j Q.A foHkx
- 3) i pdezf pfdRI k
- 4) dk; hd o ekuf l d vktkj koj i frca/ARed l eqñsAu o i pdekā pkj dj .As
(Preventive medicine)

l hFp; k l j pukRed rDR; ke/; sdk; kAs kps i R; d Lrj koj psri 'Ahy

dk; kzy; hu nij /ouh dekā o oGk % (020) 26128000 foLrkj 252 (oG l dkGh 8-30 rsl k; a 4-00)

l klrkfgd l vñ o fo'AV l d l kBh Bjfoyy; k oGk % 'Al fd; eay l vñ; k ykxw vkgr- nj j fookjh ckg; j Q.A foHkx o dk; kzy; cn vl rs l keokjh fdok 'Afuokjh 'Al fd; l vñ vl yh rjgh ykxki B nku fnol ckg; j Q.A cn Bork ; r ul Y; kus l keokjh o 'Afuokjh 'Al fd; l vñ ckg; j Q.A foHkxkl ykxwgr ukgh-

l hFkpk i kj Q rDrk (mngkj .kkfk)



l pkyd vk; pñ l pkyuky;]
egkj k"V! j kT;] oj Gh] epbz (e[; dk; kzy;)



i knf'kd dk; kzy; s (e[; dk; kzy; kP; k varxh)

- 1) l gk:; d vk; pñ
l pkyd] i qks
- 2) l gk:; d vk; pñ
l pkyd] epbz
- 3) l gk:; d vk; pñ
l pkyd] ukxi j

brj l hFkk (e[; dk; kzy; kP; k varxh)



- 1) vf/A'Bkrk] j k-vk-i knkj vk; pñ egkfo | ky;] epbz
- 2) vf/A'Bkrk] e-vk-i knkj j Q.ky;] epbz
- 3) vf/A'Bkrk] 'Al fd; vk; pñ egkfo | ky;] ukxi j-
- 4) vf/A'Bkrk] 'kkl dh; vk; pñ j Q.ky;] ukxi j
- 5) vf/A'Bkrk] 'Al fd; vk; pñ egkfo | ky;] ukM-
- 6) vf/A'Bkrk] 'kkl dh; vk; pñ j Q.ky;] ukM-
- 7) vf/A'Bkrk] 'Al fd; vk; pñ o ; qukuh j l 'AGk] ukM-
- 8) vf/A'Bkrk] 'kkl dh; vk; pñ egkfo | ky;] mLeukckn
- 9) vf/A'Bkrk] 'kkl dh; vk; pñ j Q.ky;] mLeukckn-
- 10) i z'Al fd; oS fd; vf/Adkj h] 'kkl dh; gkfevki khd j Q.kky;] epbz
- 11) vf/A'Bkrk] 20 'k:; k vk; pñhd d{k] l l u l okā pkj j Q.kky;] i qks

ekfgrhpk vf/Adkj d{A] ; 'Ank

dye 4 (1) (b) (ii) ueqk (v)

i qAs; Fkhy vf/A'Bkrk] 20 'A; k vk; pñ d{A l l u l okā pkj j A.Ay; } i qAs vf/kdkj h o depkj h ; kP; k vf/kdkj kpk ri 'khy-

V

vuq dz	i nuke	vf/kdkj & vkfFkd	dkskR; k dk; k\$fu; e\$ 'kkl ufu.kz \$ i fj i _kdkuq kj	vfHki k;
1)	fuokl h o\$ fd; vf/Adkj h	ukgh		

C

vuq dz	i nuke	vf/kdkj & i zkk dh;	dkskR; k dk; k\$fu; e\$ 'kkl ufu.kz \$ i fj i _kdkuq kj	vfHki k;
1)	fuokl h o\$ fd; vf/Adkj h	ukgh		

d

vuq dz	i nuke	vf/kdkj & i k\$tnkj h	dkskR; k dk; k\$fu; e 'kkl ufu.kz \$ i fj i _kdkuq kj	vfHki k;
1)	fuokl h o\$ fd; vf/Adkj h	ukgh		

M

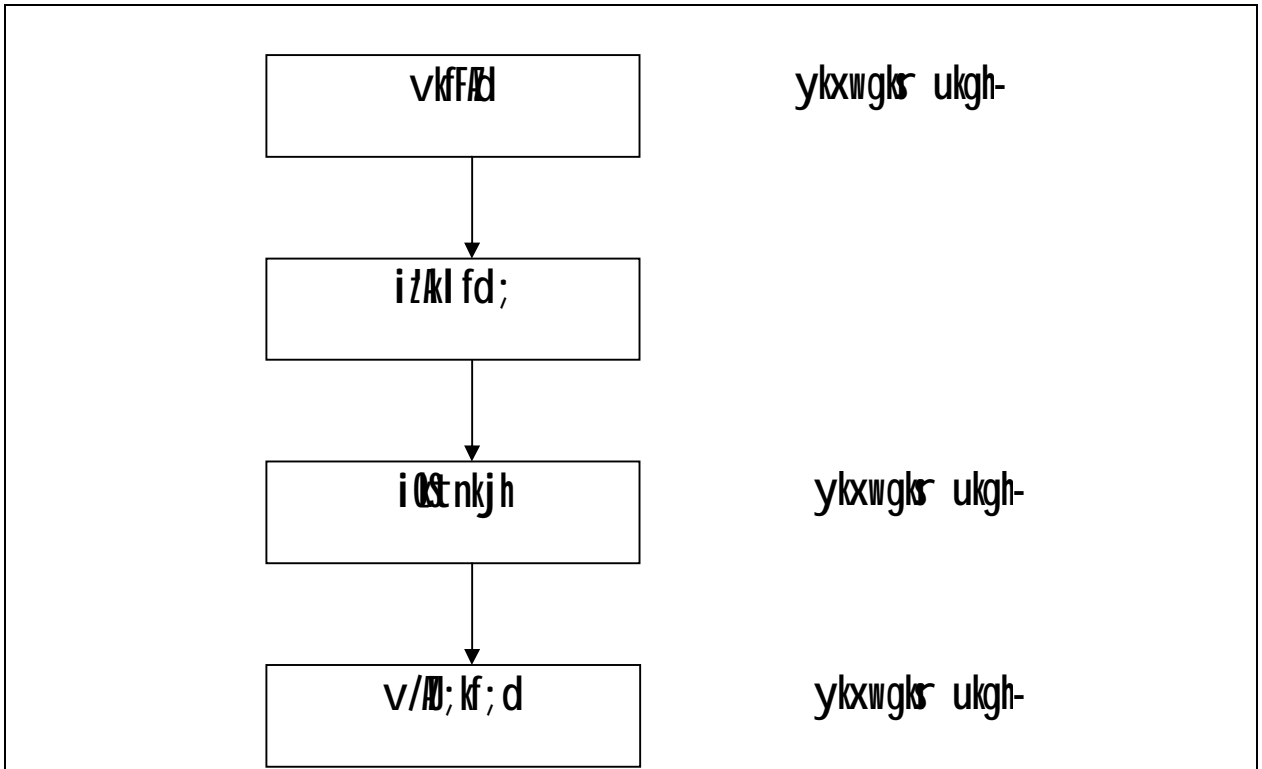
vuq dz	i nuke	vf/kdkj & v/k; k; hd	dkskR; k dk; k\$fu; e\$ 'kkl ufu.kz \$ i fj i _kdkuq l kj	vfHki k;
1)	fuokl h o\$ fd; vf/Adkj h	ukgh		

dye 4 (1) (b) (ii) ueqk (c)

i qAs; khy vf/A'Bkrk] 20 'A; k vk; pñ d{A l l u l okā pkj j Q.Ay; } i qAs
 dk; k; krhy vf/kdkj h o depkj h ; kP; k drD; kpk ri 'khy

vuq -dz	i nuke	drD; s	dksR; k dk; k\$fu; e\$ 'kkl u fu.kz \$ i fj i _kdkud kj	vfHki k;																																							
1)	vf/A'Bkrk] 20 'A; k vk; pñ d{A l l u l okā pkj j Q.Ay; } i qAs	vf/A'Bkrk] 20 'A; k vk; pñ d{A l l u l okā pkj j Q.Ay; } i qAs ; k dk; k; kP; k vkLFkki uoj , dwk 18 ins eatj vl u R; kpk ri f'ky [kkyhy i ek.k& <table border="1" data-bbox="493 805 1055 1506"> <thead> <tr> <th data-bbox="493 805 602 886">vuq dz</th> <th data-bbox="602 805 919 886">i nuke</th> <th data-bbox="919 805 1055 886">eatj i ns</th> </tr> </thead> <tbody> <tr> <td data-bbox="493 886 602 966">1)</td> <td data-bbox="602 886 919 966">fuokl h oS fd; vf/Adkj h</td> <td data-bbox="919 886 1055 966">1</td> </tr> <tr> <td data-bbox="493 966 602 1046">2)</td> <td data-bbox="602 966 919 1046">ekul ðh oS fd; vf/Adkj h</td> <td data-bbox="919 966 1055 1046">1</td> </tr> <tr> <td data-bbox="493 1046 602 1127">3)</td> <td data-bbox="602 1046 919 1127">l gk; ; d ekul ðh oS fd; vf/Adkj h</td> <td data-bbox="919 1046 1055 1127">1</td> </tr> <tr> <td data-bbox="493 1127 602 1168">4)</td> <td data-bbox="602 1127 919 1168">i fj l fodk</td> <td data-bbox="919 1127 1055 1168">1</td> </tr> <tr> <td data-bbox="493 1168 602 1209">5)</td> <td data-bbox="602 1168 919 1209">vf/Ai fj pkfj dk</td> <td data-bbox="919 1168 1055 1209">4</td> </tr> <tr> <td data-bbox="493 1209 602 1251">6)</td> <td data-bbox="602 1209 919 1251">dYi n\$feJd</td> <td data-bbox="919 1209 1055 1251">1</td> </tr> <tr> <td data-bbox="493 1251 602 1292">7)</td> <td data-bbox="602 1251 919 1292">ofj "B fy i hd</td> <td data-bbox="919 1251 1055 1292">1</td> </tr> <tr> <td data-bbox="493 1292 602 1333">8)</td> <td data-bbox="602 1292 919 1333">fy i hd Vdy\$Ad</td> <td data-bbox="919 1292 1055 1333">1</td> </tr> <tr> <td data-bbox="493 1333 602 1375">8)</td> <td data-bbox="602 1333 919 1375">vkokl h oS</td> <td data-bbox="919 1333 1055 1375">1</td> </tr> <tr> <td data-bbox="493 1375 602 1416">9)</td> <td data-bbox="602 1375 919 1416">d{Al od</td> <td data-bbox="919 1375 1055 1416">4</td> </tr> <tr> <td data-bbox="493 1416 602 1457">10)</td> <td data-bbox="602 1416 919 1457">l i Qb&kj</td> <td data-bbox="919 1416 1055 1457">2</td> </tr> <tr> <td data-bbox="493 1457 602 1506"></td> <td data-bbox="602 1457 919 1506">, dwA</td> <td data-bbox="919 1457 1055 1506">18</td> </tr> </tbody> </table>	vuq dz	i nuke	eatj i ns	1)	fuokl h oS fd; vf/Adkj h	1	2)	ekul ðh oS fd; vf/Adkj h	1	3)	l gk; ; d ekul ðh oS fd; vf/Adkj h	1	4)	i fj l fodk	1	5)	vf/Ai fj pkfj dk	4	6)	dYi n\$feJd	1	7)	ofj "B fy i hd	1	8)	fy i hd Vdy\$Ad	1	8)	vkokl h oS	1	9)	d{Al od	4	10)	l i Qb&kj	2		, dwA	18		
vuq dz	i nuke	eatj i ns																																									
1)	fuokl h oS fd; vf/Adkj h	1																																									
2)	ekul ðh oS fd; vf/Adkj h	1																																									
3)	l gk; ; d ekul ðh oS fd; vf/Adkj h	1																																									
4)	i fj l fodk	1																																									
5)	vf/Ai fj pkfj dk	4																																									
6)	dYi n\$feJd	1																																									
7)	ofj "B fy i hd	1																																									
8)	fy i hd Vdy\$Ad	1																																									
8)	vkokl h oS	1																																									
9)	d{Al od	4																																									
10)	l i Qb&kj	2																																									
	, dwA	18																																									

ojhy inkoj dk; j r vl y; k vf/kdkj h\$depkj h ; kP; k drD; kpk ri f'ky [kkyhy
 i ek.k& drD; s ykxwgkr ukghr-



dye 4 (1) (c) (iii)

fu.kz i fdz rhy i ; bsk.k o tckcnkj hpsmRrj nkbRo fuf'pr dj Ou dk; /nrhps
i zdk'ku

(dkekpk i zkj \$ uko)

dkekpsLoj Qi % 'Akl fd; Lrjkoj ckg; j Q.A o vkarj j Q.A foHkxkr vk; pñh; fpdfRI k
o i pdezmi pkj dj .As

l ad/kr rjrm % oru o osurj [Apkã kBh 'Akl u vuqku eatj vkgs

vf/Afu; ekpsukø
fu; e
'Akl u fu.Ae %
ifj i Ad
dk; kzy; hu vknSA

Government of Bombay, Local Self Government and
Public Health Department, Resolution No. ADR-1053,
Bombay Castle Dt. 19th April, 1954 vUo; sl l u
l okã pkj j Q.A.ky;] i qAs; fAs dk; j r vkgs

; k dk; kzy; kl vFkl dfYi ; rjrmhud kj eatj dj .; kr vkyy; k oru o osurj
ekxhy rhu o"kkP; k vuqkukpk rif'ky [kkyhyi ek.ks %

2006-2007

	mfne"V	j Qi ; sgtkj kr
01	oru	2001
03	i zkl [Apz	0
05	dk; kzy; hu [Apz	3
33	l kexh o i g oBk	87
54	l x.Adkojhy [Apz	9
	, dWA	2100

2007-2008

	mfne"V	[Apz j Qi ; sgtkj kr
01	oru	1829
11	i zkl [Apz	1
13	dk; kzy; hu [Apz	2
17	l x.Adkojhy [Apz	7
21	l kexh o i g oBk	171
52	; aAl kexh o l k/Aul kexh	0
	, dWA	2010

2008-2009

	mfne"V	[ApZ j U ; s gtkjkr
01	oru	2215
06	nij/ouh oht o ik.h	0
11	nšArxr i okl [ApZ	2
13	dk; ky; hu [ApZ	12
17	l x.Adkojhy [ApZ	19
21	l kexh o i j oBk	291
52	; aAl kekch o l k/Aul kekch	34
	, dWA	2573

v- dz	dkekpsLoj U	dkyko/kh fnol	dkekl kBh tckcnkj vf/kdkj h	vfHki k;
1	j Q.Añj ckg; j Q.A o vkarj j Q.A Lrj koj mi pkj dj .A	ckg; j Q.Akuk fpfdRI k dj U 7 fnol kps vksVA fnys tkrš vkarj j Q.A foHkxkr 20 [AVk eatij vl u vkarj j Q.Akuk i dš'Ar dj U R; kP; koj vk; pñ fpfdRI k o i pdeZ dšs tkrš j Q.Ak vko'; drk vl sy rō<; k dkyko/hdfj rk vkarj j Q.A foHkxkr Bō.; kar ; rs	1) fuokl h oš fd; vf/Adkj h 2) ekul oš oš fd; vf/Adkj h 3) l gk.; d ekul oš oš fd; vf/Adkj h	

i R; d dk; j l ok] drD;] vf/kdkj kph veyctko.kh dj.; kdj hrk vf/kfu; e]
fu; e] 'kkl u fu.kz] ifj i kd] vknš k ; kpk vk/kkj ?kñUup dk; j /nrh Bj rs
i R; d dk; j l ok] drD;] vf/kdkj kph veyctko.kh d'kh gkrš; kph i /nrh
i d k'khr dj .ks ; kl kBh ykd i kf/kdkj h ekghrphs l dyu ij Lij l czk o dk; j /nrh
Bj o.; kl kBh oj vuñunžkhr vVhuđ kj i qžk dj koh-

- mnk- i dz .kkpk fui Vkj k dj.; kph dk; j /nrh...
l uko.khP; k rkj [kafuf'prhph dk; j /nrh...
dkydekuđ kj i dz .kkpk fui Vkj k dyk tkrš dk...
dkgh fo'kš i dz .kkuk i k/kkU; fnys tkrš dk...
- mnk- vuñkukP; k okVi kph dk; j /nrh\$ l oyr ns; kph dk; j /nrh\$
ykHkkFkhP; k fuoMhph dk; j /nrhph foLr€ ekfgrh dkgh fo'k"V
dks/k fnyk tkrš dk; ...

l oZ depk&; kauk u u u fnyš; k dkeP; k okV.khuđ kj R; k R; k foHkxkrhy
fuokl h oš fd; vf/Adkj h] oš mi vf/AAd] oš fd; vf/AAd] vf/AI šodk] dk- vf/AAd]

ekfgrhpk vf/Adkj d{A] ; 'hñk

izkl fd; vf/kdkjh ; kps i ; bsk.kk[kyh dkes djU ?kyh tkrkr- iR; d idj.kh depkjh
o vf/kdkjh fopkj fofue; \$ppkZ djU fu.kZ ?krys tkrkr- dkekdt gkrkGrkuk gskk&; k
loZ i_k0; ogkj kud kj ipfyr 'kkl u fu.kZ \$l puskifji_kd\$LFkk; h vknšk ; kud kj vH; kl
djU idj.kh lknj dyh tkrkr vf/A'Brkj] 20 'A;k vk; pñhd d{A l l u l oki pkj
j Q.Ay;] i qAs ; kR; k rikl .khuarj o R; kP; k vāre fu.ā; kud kj iR; d idj.k fudkyh
dk<ystkrs fu.kZ ifdz k foyekusu gkrk fofgr dkyo/khr djU dkekpk tyn fuiVkj
dyk tkrks vko'; d rōgk ofj"B dk; ky; kdMuu ekzh'ku ?kōm idj.k Rofjr fudkyh
dk<. kph n{krk ?kyh tkrks dk; ky; kojrh vlysh tckcnkjh 0; ofLFkri.kh ikj
iM.; kP; k n=hus iR; d idj.kh n{krk ?kōm oGhp dk; bkg h dyh tkrks

dkSR; k fud"kki ek.ksfuom dyh tkrks. dkydekud kj fuom vl rskd...
; k loZckchd nHkkZr ekfgrhps idk'ku dj .k vfuok; Zvkgs

mnk- i uj koRrh dk; kP; k dk; ky; hu dk; ā /nrh l cakh ekfgrhps idk'ku dj .k

iR; d dk; ā /nrhe/; sfofo/k Lrj kP; k depk&; kpk l ghkkx vl rks iR; d depk&; kph
dk; ā /nrhe/; s th fof'k"V Hkfedk o tckcnkjh fuf'pr dj.; kr vkyh vkgs rh
n'kfo.; kr ; koh-

1) fuokl h oš fd; vf/Adkj h
rkā Ad drD; s

- 1) vko'; drk vl sy rēš ckg; j Q.A foHArhy j Q.A fpfdRI k dj .As
- 2) vko'; drsū kj vR; k; hd j Q.Ad j Q.Ai ok nsAs
- 3) loZrkā Ad ckchps j dkmZ 0; oLFAr o v | ; kor Bō.As
- 4) fo | kF; kps fDyfud oGki Ad dj .As o R; kl kBh vko'; d R; k ckch
ij fo.As
- 5) fo | kF; kph mi fLFArhoj ikg.Ah o fu; aAA
- 6) l aFAi zē fAah l kifoyš; k oGkoGh l kchryš; k tckcnk&; k ikj
iM.As

izAl fud drD;s

- 1) l h f k i e d f k u h u e w f n y y ; k l o z f u ; e k p s d k v d k j i . A s i k y u g k b y g s i k g . ; k p h t c k c n k j h f u o k l h o s f d ; v f / A d k j h ; k p ; k o j j k g h y -
- 2) l h f p ; k e k x . h u d k j v k s v h ; a l l k f g r ; b - e k x f o . ; k p h t c k c n k j h f u o k l h o s f d ; v f / A d k j h ; k p o j j k g h y -
- 3) l h f a r h y l o z c k c h p s 0 ; o l f a h r o v | ; k o r f u ; k s t u - B j k f o d v a r j k u s o x o x G ; k f o h a x k p h v p k u d u k m o g ; k p ; k r i k l . h d j . A s m n k - t m l a x g u k m o g h] v k s v h t e k [p o z u k m o g h -
- 4) j Q . A y ; k p k f u ; f e r o v p k u d j k m O M ? A s
- 5) j Q . A y ; k a r h y f ' A l r o l k b l f o / k l g t f j R ; k j Q . A d f e G r k r d h u k g h g s i k g . A s r l p v k s v h f o r j . A 0 ; o l f a o j l o p n r k j j Q . A d i g f o y k t k . A j k v k g k j] l a e / a r h a k m k j f o h a x] v k s v h o b r j j Q . A y ; h u l a e / a r x k s v h o j n s [A j [A B o . ; k p h t c k c n k j h -
- 6) l h f k i e d f k u h ; k v u i f l f a h r j Q . A y ; h u d k e d k t k o j i e d f k l k j [h t c k c n k j h i k j i k m . A s
- 7) v k o k l h o s] v R ; k f ; d f p f d r l k o s v k f . A b r j r k a d o x l o x 2 3] o x 2 4 g s f u o k l h o s f d ; v f / A d k j h ; k p ; k f u ; a l . A k [A y h v l r h y -
- 8) j Q . A y ; h u l y y k x k j l f e r h p h c b d v k ; k f t r d j . A s
- 9) l h f k i e d f k u h o s k o s h l a x h r y y ; k t c k c n k ; k i k j i k m . A s

2) ekul oh o l g k ; d ekul oh o s f d ; v f / A d k j h

- 1) i R ; s l e k u l o h o s f d ; v f / A d k j h i R ; s l f n o ' h f d e k u p k j r k l m i f l f a r j k g h y -
- 2) R ; k p k i R ; s l d k e k p ; k v k b o m ; k p k v g z k d k j h d k y k o / h 2 4 r k l b r d k v l s y -
- 3) i R ; s l e k u l o h o s f d ; v f / A d k ; k p ; k o G k v f / A d k u s r ; k j d s y y ; k o G k i _ A d k u d k j f u f ' p r d j . ; k a ; s h y -
- 4) e k u l o h s l g k ; d e k u l o h o s f d ; v f / A d k ; k a y k n j e g k j Q 1 5 0 0 \$ & b r d s e k u / A u n s ; k a ; s s
- 5) i R ; s l e k u l o h o s f d ; v f / A d k ; k p k i n k o / h j k T ; ' A l u k p s l e k / A u g k b y v ' A i z k j s , d k o " A p k i f j f o { A f / A u d k y k o / h i w l d y ; k u a r j i k j h h i k p o " A b r d k j k g h y -

3) ifj l sodk inkph drD;s

- 1) v k a r j j Q . A d { A i w h . A s i f j l s o d p ; k f u ; a l . A k [A y h v l r k s
- 2) d { A r h y l o z d k e s o x 2 3 o 4 d e p k ; k p ; k l g d k ; k u s i w l d j . A s
- 3) f ' A d k m 0 i f j p k f j d k a k i f ' A A A d k y k o / h r t s f ' A d f o y s t k r s r s i R ; { A r d k e d l s d j k o s ; k c k r e k x h ' A u d j . A s
- 4) i o f ' A r j Q . A k p h o s f d ; v f / A d k j h ; k a h o s f d ; r i k l . h d j . ; k d f j r k ; k ; r h 0 ; o l f a k d j . A s

- 5) j Q. Auk nšinu vKSA o t o. s o G o j feGrsdh ukgh gs i kg. As
- 6) okm ph LoPNrk] t o. Aph LoPNrk] j Q. AP; k LoPNrB; k n=hus l oZ dkes i kg. As
- 7) t o. Aph ; k; i ek. Ar ekx. h dj. As vKSA p se kx. hi _ Ad dj. As o fo "Akh vKSA l g f {Ar B o. As
- 8) j Q. A i d f 'Ar dj. As fux i er dj. As R; k uk ns; k r ; s A & ; k vKSA ki pkj] i p de z mi pkj ckr ukmog; k B o. As
- 9) t M l x g ukmogh v | kor B o. As o G k o Gh t M l x g k ph r i k l . h dj. As
- 10) v f / A d] v f / A l s o d k] fuok l h o s f d ; v f / A d k j h ; k u h o k M k p k j k m o l ? A r k u k m i f l F A r j k g u l g d k ; Z d j . A s
- 11) j Q. AP; k u k r o k b d k a l M u d { A l o d] l i o b z k j f d o k v f / A i f j p k f j d k ; k u h d k g h i s s v f o k H A / o L r w ? A n o u ; r ; k p h n { A r k ? A r y h i k f g t s
- 12) v R ; o l F A j Q. A e k c r f d o k ' A _ A d z s k r ; k ; r h v k o ' ; d e k f g r h v f / A l s o d s y k n s A s
- 13) H A / . ; k P ; k o G o ; f r f j D r u k r o k b d d { A r ; s k j u k g h r ; k p h n { A r k ? A s A s
- 14) d { A r h y o x & 3] o x & 4 d e p k j h] o s f d ; i f ' A A A F A Z g ; k o s h l k s u ; k u s l g d k ; k z s o k x . A s
- 15) x W] y k W] i f A s f o u k d k j . A o k i j y s t k . A j u k g h r ; k p h n { A r k ? A s A s
- 16) d { A P ; k d k e d k t k l e d A r o f j " B k u h o G k o G h l k a h r y s h d k e s i k j i k M . A s

vf/Ai f j p k f j d k i n k p h d r D ; s

- 1) i f j l s o d B ; k v u i f l F A r h r d { A r h y d k e d k t k p s f u ; k s t u d j . A s
- 2) d { A P ; k d k e d k t k P ; k f u ; k s t u k r i f j l s o d s y k e n r d j . A s r l p i f j p ; k z i f ' A A A A h u k d k e d k t f ' A d f o . ; k r i f j l s o d s y e n r d j . A s
- 3) d { A d k B h y l x . A & ; k c k c h p h f o f o / A f o H A x k d M u m n k - v K S A f s f y u u] L o P N r k l f g R ; b - c k c r p h e k x . h d j . A s
- 4) j Q. A ' A p k d j . A s
- 5) i p d e z m i p k j d j r k u k m i f l F A r j k g u M K D V j k u k l g d k ; Z d j . A s
- 6) d { A r h y o x & 4 d e p k & ; k P ; k d k e d k t k o j y { A B o . A s
- 7) o x & 4 d e p k & ; k a l M u j Q. A v k g k j f o r j . A d j h r v l r k u k y { A B o . A s
- 8) i d f ' A r > A y s ; k j Q. A e k c r M K D V j k u k 10 f e f u V P ; k v k r e k f g r h n s A s
- 9) j Q. AP; k i f j l F A r h c k r M K D V j k u k v o x r d j . A s
- 10) l d k G h v k y s ; k v f / A i f j p k f j d s u s i E A e j k A P ; k M ; W H P ; k v f / A i f j p k f j d s l M u j Q. A v g o k y ? A s A s i R ; s l j Q. A d H A / u v k l F A s u s i R ; s l k p h f o p k j i w d j . A s
- 11) n j j k s t l d k G h i f j l s o d s y k v k n Y ; k f n o ' A P ; k d k e d k t k p h e k f g r h n s A s

d{A od inkph drD; s

- 1) vkrj j Q. A foHAKxkr i d f'Ar ds; k j Q. Auk oxoxG; k riki .An o
pkp.; kdfjrk vko'; d R; k foHAKxkr ?Aou tk. As
- 2) j Q. Auk ikdxekru vkgkj vk. Au R; kpsokVi dj. As
- 3) vkrj j Q. A foHAKxkph LoPNrk dj. As
- 4) o\$ fd; vf/Adkj h\$ i fj l odk\$vf/Ai fj plfj dk ; kuh oGk oGh l khrysh
brj j Q. Ky; hu dkes

l i Qkz kj inkph drD; s %

- 1) j Q. Ky; karhy LoPNrkxekph LoPNrk dj. As
- 2) o\$ fd; vf/Adkj h\$ i fj l odk\$vf/Ai fj plfj dk ; kuh oGk oGh l khrysh
brj j Q. Ky; hu dkes

dye 4(1) (c) (iv) ueuk (v)

ueu; ke/; s dkekps i dVhdj .k

l akVukpsy{k (okf"kd)

v- dz	dke\$dk; l	dkekps i ek.k	vkfFkd y{k	vfHki k;
	j Q. Aokj ckg; j Q. A o vkrj j Q. A Lrj koj vk; pñ mi pkj dj. As	1) vkrj j Q. A foHAKxkr 20 [AKVk eatij vkgr (24 rki) 2) ckg; j Q. A foHAKx l dkGh 8-30 rs11- 30		

dye 4 (1) (c) (iv) ueuk (c)

dkekph dkye; khk-----dke i wkZ gks; kl kBh

i R; d dkekph dkye; khk %&

vuq dz	dke \$ dk; l	fnol \$ rkl i wkZ dj .; kl kBh	tckcnkj vf/kdkj h	rdkj fuokj .k vf/kdkj h
1)	j Q.A.koj ckg; j Q.A o vkarj j Q.A Lrj koj vk; pñ mi pkj dj .As	1) vkarj j Q.A foHkxkr 20 [AKvk mi yC/A vkgr- (24 rkl) 2) ckg; j Q.A.kuk 7 fnol kps vkSA/A fnys tkrs l dkGh 8-30 rs 11-30 3) i pdekā pkj l dkGh 7-30 rs 9 & vkarj j Q.A 10 rs 11-30 & ckg; j Q.A	fuokl h oS fd; vf/Adkj h ekul sh oS fd; vf/Adkj h l gk; d ekul sh oS fd; vf/Adkj h	fuokl h oS fd; vf/Adkj h

dye 4 (1) (c) (v) ueuk (v)

-----dkek'kh l d f/kr fu; e \$vf/kfu; e

vuq dz	l puk i _kdkud kj fnysys fo"K;	fu; e dkd o o"K	vfHki k; (v l Y; kl)
	ykwgkr ukgh		

dye 4 (1) (c) (v) ueuk (c)

----- dkek'kh l cñ/kr 'kkl u fu.kz

vuq dz	'kkl u fu.kz k ud kj fnysys fo"k;	'kkl u fu.kz dækd o rkj h[k	vfHki k; (vI Y; kl)
	vk; pñh; fpfdRI e/; s l dAs/Au	Government of Bombay, Local Self Government and Public Health Department, Resolution No. ADR-1053, Bombay Castle Dt. 19 th April, 1954	

dye 4 (1) (c) (v) ueuk (d)

----- dkek'kh l cñ/kr i fj i _kds

vuq dz	'kkl fd; i _kdkud kj fnysys fo"k;	i fj i _kd dækd o rkj h[k	vfHki k; (vI Y; kl)
	ykwgkr ukgh		

dye 4 (1) (c) (v) ueuk (M)

-----dkek'kh l cñ/kr dk; ky; hu vkn\$ /kkj .kkRed i fj i _kds

vuq dz	fo"k;	dækd o rkj h[k	vfHki k; (vI Y; kl)

dye 4 (1) (c) (v) ueuk (b)

i q/s; fkhv vf/A'Brk] 20 'A; k vk; pñ d{A l l u l okā pkj j Q. ky; } i q/s
 dk; kzy; ke/; smi yC/k nLrk, otkph ; knh-

nLrk, otkpk fo"k;

v-dz	nLrk, otkpk i dzj	fo"k;	I æf/kr 0; Drh \$ i nuke	0; Drhps fBdk.k\$ mi j kDr dk; kzy; kr mi yC/k ul Y; kl)
1	dk; e Loj Ū h	vkLFki uk foHkx	I oki ūrd\$ I okfuokrh oru i dzj .A gtj hi V	####
2	dk; e Loj Ū h	yqk foHkx	oru nš dš vkdfLed [Ap/nš dsb-	####

vfHky{kkph lāwkZ ; knh i R; d ykdikf/kdkjh lāFkk r; kj djy- vfHky{kke/; s nLrkost] uLrh l æ.khdæ ekfgrh bR; knh vl sy- ekfgrhP; k vf/kdkj kph veyctko.kh l yHk dj.; kl kBh fg ekfgrh r; kj dj.ks vR; r vko'; d vkgš ; knh oki j.; kl] rikl.; kl vkf.k let.; kl l yHk vlyh ikfgts rlp vko'; drudkj ueus ?ks; kP; k dk; i /nrh varHkko vl kok- i Eke dk; kzy; krhy mi yC/k uLrhph ; knh dj koh R; kps oxhđj .k dj kos nLrk, otkps foLræ ekfgrh] ukā i ūrdkph ; knh o oxhđj k dj kos dkgh nLrkost tsuLrh fdok ukā i ūrdkP; k Loj Ū kr ukghr R; kph ; knh dj ū Bø.ks ykdj I ki M.; kP; k gš us gh ; knh dk; kzy; ke/; sd{kki æ.kš Vcy i æ.k.s r; kj dj ū Bø.ks vko'; d vkgš rh i qhy i æ.k.s r; kj dj koh-

dye 4(1) (v) (vi)

i qks ; fkyh vf/A'Bkrk] 20 'A; k vk; pñ d{A l l u l okā pkj j Q.Ay;} i qAs
 dk; kzy; ke/; snLrk, otkph oxzkh h

vuq -dz	fo"K;	nLrk, otkpk i zkj uLrh\$eLVj \$ ukni t rd] Ogkmpj b-	i zdk ckchpk ri 'khokj	I j f{kr Bø.; kpk dkyko/kh
1)	vkLFki uk foHkx	Bj kfod o dk; eLoj Ū h	I oki t rds\$ gtj hi V] o\$ fDr d uLrh] I okfuorh oru fo"A; d i dj .As o brj fo"A; okj uLR; k o uknog; k	depk&; kph I okfo"A; d nLr, ot dk; e Loj Ū h o brj fo"A; okj uLR; k\$ uknog; k 5 o"Å BøY; k tkrkr-
2)	y\$Ak foHkx	Bj kfod o dk; eLoj Ū h	oru n\$ d] vkdfLed [Aph\$ ds	oru n\$ dsdk; e Loj Ū h Bøys tkr\$ o brj n\$ ds y\$ki fj {A.A >Ay; kurj ni Ūj nk[Ay dj .; kr ; r\$

dye 4 (1) (c) (vii)

i qks ; fkyh vf/A'Bkrk] 20 'A; k vk; pñ d{A l l u l okā pkj j Q.Ay;} i qAs
 dk; kzy; kP; k i fj ukedkj d dkekl kBh tul keku; kakh I Yyk dj .; kph 0; oLFkk-

vuq dz	I Yykel yrhpk fo"K;	dk; i zkyhps foLr€ o.kū	dk\$kr; k vf/kfu; ek\$fu; ek\$ i fj i _kdkOnkj s	i Ūj ko#hdky
ykwukgh				

fVi % dye 4 (1) (c) () vxr i R; d ykdikf/kdkj h l hFkus vf/kdu; e\$fu; e\$
 i fj i _kd bR; knh vñre dj .; ki whz\$ jkcforkuk turph ers\$ vk{ki tk.kw ?ks; kl kBh
 vflRokr vyy; k dk; i /nrhph ekfgrh nsksvi f{kr vkgs

vud oGk I ferhph LFkki uk dj Ū f'kfcj kOnkj } xtel HkOnkj } tul ukobz vFkok
 depk&; kP; k njckj kww tuerkph pkpi .kh dj .; kr ; r\$

dye 4 (1) (c) (viii) ueqk (d)

i qks ; Fkhy vf/A'Bkrk] 20 'A; k vk; pñ d{A l l u l okā pkj j Q. Ky; } i qAs
dk; kŷ; kP; k i j h"knkph ; knh i dk'khr dj .ks

vuqdz	i j h"knps uko	i j h"knps l nL;	i j h"knps mñh"V	fdrh oGk ?ks ; kr ; rs	I Hkk tul kekl; kl kBh [kyh vkgs	I Hkpk dk; bRkr
&&&&&&&& ykxwgr ukgh &&&&&&&&						

dye 4(1) (c) (viii) ueqk (M)

i qks ; Fkhy vf/A'Bkrk] 20 'A; k vk; pñ d{A l l u l okā pkj j Q. Ky; } i qAs
dk; kŷ; kP; k dkskR; kgh l l Fkph ; knh i dk'khr dj .ks

vuqdz	I l Fkps uko	I l Fkps l nL;	I l Fkps mñh"V	fdrh oGk ?ks ; kr ; rs	I Hkk tul kekl; kl kBh [kyh vkgsfdok ukgh	I Hkpk dk; bRkr (mi yC/k)
&&&&&&&& ykxwgr ukgh &&&&&&&&						

dye 4 (1) (c) (ix)

i qAs; fñhy vf/A' Bkrk] 20 'A; k vk; pñ d{A l l u l okā pkj j Q. Ky; } i qAs
 dk; kzy; karhy vf/Adkj h o depkj h ; kph ukø; i Rrso R; kps ekfl d oru

v- dz	i nukæ	vf/Adkj h\$ depk&; kps ukø	oxl	j Ot wfnukød	nj /ouh dz \$i ØI \$ bzesy	, dwA oru
1-	fuokl h oS] fd; vf/Adkj h	fj Dr i n oS] k l fj rk xk; dokM] l gk; ; d l pkyd vk; pñ] i qAs ; kps dMs vfrfj Dr dk; Hk]k	ox&2	-	-	-
2-	ekul øh oS] fd; vf/Adkj h	oS] k e/Aj k epdSA dl cdj	ox&2	24/06/2008		1500/- eku/Au
3-	l gk- ekul øh oS] fd; vf/Adkj h	fj Dr i n	ox&2			1500/- eku/Au
4	i fj l fodk	Jhe- ehj k l qñj f' Aj l kv	ox&3	22/12/2003		28896
5	vf/Ai fj pkfj dk	l kS rñrh j kenkl i okj	ox&3	29/06/2004		28455
6	vf/Ai fj pkfj dk	l kS l qñk l qñj cges	ox&3	29/06/2004		28455
7	vf/Ai fj pkfj dk	l kS uhrk byk; l l kykeu	ox&3	4/6/2005		26588
8-	vf/Ai fj pkfj dk	Jherh ekxj v/ l q ?A] i Ms	ox&5	16/05/2008		26588
9-	ofj "B fyi hd	l kS vñt yh dkcGs	ox&3	2/6/2008		16437
10	feJd	Jh- l nkf' lo HAv ckl k	ox&3	28/5/1998		21537

v-dz	i nuke	vf/Adkj h\$ depk&; kps uko	oxl	j Otwnukad	nj /ouh dz \$i ODI \$ bzey	, dwA oru
11	fyihd Vdy{Ad	Jh- i j OARre HAK- ykM	ox&3	16/2/2009		11613
12	vkokl h o\$	fj Dr in	ox&3			2525 fo koru
13	d{Al od	Jhe- pkj Ork rpkj ke HAKcj s	ox&4	5/10/1993		11006
14	d{Al od	Jhe- 'Akj nk fo k/Aj vi Opkys	ox&4	1/10/2007		9212
15	d{Al od	fj Dr in	ox&4			
16	d{Al od	fj Dr in	ox&4			
17	I i Qb&kj	Jh- gfj nkl y{e.A p0gk.A	ox&4	1/2/1980		14267
18	I i Qb&kj	Jh- vfuy Nks/yky funkfu; k	ox&4	14/3/1990		11171

dye 4 (1) (c) (x)

i qAs; Ekhy vf/A'Bkrkj] 20 'A; k vk; pñ d{A l l u l okā pkj j Q.Aky; } i qAs
dk; kzy; kP; k vf/kdkj h o depk&; kph orukph foLr€ ekfgrh i dk'khr dj .ks

vuq -dz	oxl	depk&; kpsuko o i nuke	oru j Q j skk				brj vuks HRrs	
				fu; fer (egkxkbZkRrk] ?kj HkKMs HkRrk] 'kgj HkRrk)	i d akud kj (t l s i dkl HkRrk)	fo'kSk (t l s i dYi HkRrk] i f'k{k.k HkRrk)	orukpk ri 'khy (ukgocj 2009 pk)	
	eG oru -xM oru	egkxkbZ HkRrk	?kj HkKMs HkRrk	'kgj i j d HkRrk okgu HkRrk	, dwk			

ekfgrhpk vf/Adkj d{A] ; 'hnk

1	oxL 2	fuokl h oS fd; vf/Adkj h & fj Dr in oS k l fj rk iz xk; dokM l gk; ; d l pkyd vk; pñh] i qAs ; kpdMs vfrfj Dr dk; Hk j					
2	oxL 2	oS k e/Aj k edSA dl cdj] eku l oh oS fd; vf/Adkj h	1500 eku/Au	0	0	0	1500 eku/Au
3	oxL 2	eku l oh oS fd; vf/Adkj h & fj Dr in	1500 eku/Au	0	0	0	1500 eku/Au
4	oxL 3	Jhe- ehj k f' Aj l kv] i fj l fodk	19310	5214 -40 5174	3862	550	28896
5	oxL 3	Jherh r r h j kenkl i okj] vf/Ai fj pkfj dk	19010	5133 -40 5093	3802	550	28455
6	oxL 3	l kS l ðek l q/hj cgeš vf/Ai fj pkfj dk	19010	5133 -40 5093	3802	550	28455
7	oxL 3	l kS uhrk byk; l l kykeu] vf/Ai fj pkfj dk	17740	4790 -40 4750	3548	550	26588
8	oxL 3	l kS ekxkj v l gkl ?Aj i Mš vf/Ai fj pkfj dk	17740	4790 -40 4750	3548	550	26588
9	oxL 3	l kS vatyh dk cGš ofj "B fy i hd	10950	2957	2190	340	16437
10	oxL 3	Jh- l nkf' lo HAw ckl k] dYi n\$feJd	14420	3893	2884	340	21537
11	oxL 3	Jh- i g' AKR re Hk- ykM] fy i hd Vdyš Ad	7730	2087	1546	250	11613
12	oxL 3	vkokl h oS & fj Dr in	2525 fo koru	0	0	0	2525 fo koru
13	oxL 4	Jherh pkj Ork r q Hk c j s	8430	2276	0	300	11006
14	oxL 4	Jherh 'k j nk fo k/Aj vi Opkyš d{Al od	6100	1647	1220	245	9212
15	oxL 4	d{Al od & in fj Dr	0	0	0	0	0
16	oxL 4	d{Al od & in fj Dr	0	0	0	0	0
17	oxL 4	Jh- gfj nkl y{E.A p0gk. Aj l i Qk b xkj	9440	2549	1888	390	14267

ekfgrhpk vf/Adkj d{A] ; 'h k

18	ox& 4	Jh- vfuy Nk/syky funkfu; k] l i kb&kj	8560	2311	0	300	11171
----	-------	--	------	------	---	-----	-------

dye 4 (1) (c) (xi)

i qAs; fkhv vf/A' Bkrk] 20 'A; k vk; pñhd d{A l l u l oki pkj j A. ky; } i qAs
dk; ky; kpsedij vankti_kd o [kpkpk rif'ky ; kph folr# ekfgrh idk'khr dj .ks

- vankti_kdkpk irhps idk'ku
- vumkukP; k forj .kkP; k irhps idk'ku

vug -dz	vankti_kfd; 'kh"kkps o.ku	vumku	fu; kstr okij (fksk o dkekpk rif'ky)	vf/kd vumku vi fkr vly; kl j u ; kr	vfHki k;												
<table border="1"> <tr> <td colspan="2">ekx.h dz , l 1</td> </tr> <tr> <td>2210</td> <td>o f d; l ok o l ko z fud vkj k;</td> </tr> <tr> <td>02 %</td> <td>ulxjh vkj k; l ok o brj o f d i/nrh</td> </tr> <tr> <td>101 %</td> <td>vk; pñhd</td> </tr> <tr> <td>(02)(02)%</td> <td>vk; pñhd eq u y j A. ky; so nok[kus</td> </tr> <tr> <td></td> <td>22101901</td> </tr> </table>				ekx.h dz , l 1		2210	o f d; l ok o l ko z fud vkj k;	02 %	ulxjh vkj k; l ok o brj o f d i/nrh	101 %	vk; pñhd	(02)(02)%	vk; pñhd eq u y j A. ky; so nok[kus		22101901	; k dk; ky; kl vfk d fyi ; rj rnhud kj edij dj .; kr vky ; k ekxhy rhu o"kkP; k vumkukpk rif'ky [kkyhy iek.ks	
ekx.h dz , l 1																	
2210	o f d; l ok o l ko z fud vkj k;																
02 %	ulxjh vkj k; l ok o brj o f d i/nrh																
101 %	vk; pñhd																
(02)(02)%	vk; pñhd eq u y j A. ky; so nok[kus																
	22101901																

2006-2007

	mfne"V	j u ; sgtkj kr
01	orsu	2001
03	idkl [ApZ	0
05	dk; ky; hu [ApZ	3
33	l kexh o i g oBk	87
54	l x. Adkojhy [ApZ	9
	, d u A	2100

2007-2008

	mfne"V	[ApZ j u ; sgtkj kr
01	orsu	1829
11	idkl [ApZ	1
13	dk; ky; hu [ApZ	2
17	l x. Adkojhy [ApZ	7
21	l kexh o i g oBk	171
52	; a l kek h o l k/lu l kek h	0
	, d u A	2010

ekfgrhpk vf/Adkj d{A ; 'h k

2008-2009

	mfne"V	[ApZ jU; s gtkjkr
01	oru	2215
06	nij/ouh oht o ik.h	0
11	nškrxř i ðkl [ApZ	2
13	dk; ky; hu [ApZ	12
17	l x.Adkojhy [ApZ	19
21	l kexh o i g oBk	291
52	; aAl kexh o l k/Aul kexh	34
	, dWA	2573

dye 4 (1) (c) (xii) ueqk (v)

i qks; fkhv vf/A'Bkrk] 20 'A; k vk; pñ d{A | l u l oki pkj j Q.Ay;] i qAs
dk; ky; krhy vuqku okVi kP; k dk; ðækph dk; ð /nrh &&&&& ; k o"kkñ kBh i ðk'khr
dj .ks

- dk; ðækpsukø
- ykHkkFkhP; k i k_krk l æð/khP; k vVh o 'krhZ
- ykHk feG.; kl kBhP; k vVh-
- ykHk feG.; kl kBhph dk; ð /nrh-
- i k_krk Bj fo.; kl kBh vko'; d vl ysysdkxni_k
- dk; ðæke/; s feG.kk&; k ykHkkph foLrÆ ekfgrh-
- vuqku okVi kph dk; ð /nrh-
- l {ke vf/kdk&; kps i nuke-
- fourh vtññ kcr ykx.kkj s 'kYd-
- brj 'kYd-
- fourh vtññ ueqk-
- l kcr tkM.ks vko'; d vl yŸ; k dkxni_kkph ; knh-
- (nLr, ot\$nk[ky)
- tkM dkxni_kkpk ueqk-
- dk; ð /nrh l mHkkř rdij fuokj .kk l kBh l æð/kr
- vf/kdk&; kps i nuke-
- rif'kyokj o i R; d Lrjkoj mi yC/k fu/kh (mnk-ftYgk
- i krGh] rkyok i krGh] xko i krGh)
- ykHkkFkhph ; knh [kkyhy ueq; kr-

ykxw
gkr
ukgh

dye 4 (1) (c) (xiv)

i qks; Ekhy vf/A'Bkrkj 20 'A; k vk; pñhd d{A l l u l okā pkj j Q.Ay; } i qAs
 dk; kzy; krhy ekfgrhpsbyDVkñhd Loj ū kr l kBfoysyh ekfgrh i dk'khr dj .ks
 pkywo"kkZj hrk-

v-dz	nLr, ōtkpk i dzkj	fo"k;	dkSkR; k byDVkñhd uetj; kr	ekfgrh feGfo.; kph i /nrh	tckcnkj 0; Drh
ekfgrhpk vf/kdkj 2005 psdye 4 (1) (c) ud kj 1 rs17 ena; kckcrph ekfgrh bñj uñoj (oel kbñ) oj mi yC/k dj ū ns; kr ; r vkgs					

- Vñ
- fi Qe
- fl Mh
- i Qykwñh
- brj dkskR; kgh Loj ū kr

dye 4 (1) (c) (xv)

i qks; fkhv vf/A'Bkrk] 20 'A; k vk; pñ d{A l l u l okā pkj j Q. ky; } i qAs
 dk; kŷ; kar mi yC/k l fo/kkpk rDrk izk'khr dj .ks

mi yC/k l fo/kk

- HkV.; kP; k oGs l mHkkzr ekfgrh-
- ocl kbV fo"k; h ekfgrh-
- dkWl vj fo"k; h ekfgrh-
- vfHky[k rikl .khl kBh mi yC/k l fo/kkph ekfgrh-
- dkekP; k rikl .khl kBh mi yC/k l fo/kkph ekfgrh-
- uepsfeG.; kckcr mi yC/k ekfgrh-
- l puk i Qydkph ekfgrh-
- xdkky; fo"k; h ekfgrh-

v-dz	l fo/kkpk i dzkj	oG	dk; / nrh	fBdk.k	tckcnkj 0; Drh\$depkj h	rdkj fuokj .k
1)	HkV.; kP; k oGs l mHkkzr ekfgrh	l dkGh 8-30 rs l k; adkGh 4-00	l e{k HkV/w ppkz	dk; kŷ; kr i qks	oſ k l fj rk i nhi xk; dokM] fuokl h oſ fd; vf/Adkj h	ppv/rh rdkj hps fuokj .k Roj hr dys tkmŪ ; kŷ; rs ekxh'kŪ dys tkrs
2)	ocl kbV fo"k; h ekfgrh	*****	ocl kbVoj mi yC/k dj Ū ns; kr ; r vkgſ	i qks	*****	*****
3)	vfHky[k rikl .khl kBh mi yC/k l fo/kkph ekfgrh	***	i R; {k vfHky[k rikl .khl kBh mi yC/k dj Ū fnys tkrkr-	i qks (dk; kŷ; kr)	*** o dk; kŷ; hu depkj h	*****
4)	dkekP; k rikl .khl kBh mi yC/k l fo/kkph ekfgrh	*****	dk; kŷ; hu oGr	*****	*****	*****

v-dz	l fo/kpk i dkj	oG	dk; i /nrh	fBdk.k	tckcnkj 0; Drh\$depkj h	rdkj fuokj .k
5)	ueus feG.; kckcr mi yC/k ekfgrh	&&&&* &&&&	Bj kfod Loj ū kr dke vl Y; kus uet; ke/; s ekfgrh ns; kpk i zu mñkor ukgh- R; keG yknwgr ukgh-	&&&&&	&&&&&&	&&&&&
6)	l puk\$ xikky; ekfgrh	&&&* &&&	&&&* &&&&	&&&&&&	&&&&&	&&&&

ekfgrhpk vf/Adkj d{A ; 'lnk

dye 4 (1) (c) (xvi)

i qAs; fkyh vf/A'Bkrk] 20 'A; k vk; pñ d{A l l w l okā pkj j Q.Ay; } i qAs
 dk; kŷ; krhy 'kkl dh; ekfgrh vf/kdkj h\$ l gk.; d 'kkl dh; ekfgrh
 vf/kdkj h\$ vfi yh; i kf/kdkj h (r fkyh ykd i kf/kdkj hP; k dk; kskkrhy) ; kph foLr#
 ekfgrh i dk'kkr dj .ks
 v- 'kkl dh; ekfgrh vf/kdkj h

v-dz	'kkl dh; ekfgrh vf/kdkj hps uko	i nuke	dk; ksk	i Rrk\$ i Qsu	b&esy	vfi yh; i kf/kdkj h
1)	o\$ k l fj rk i nhi xk; dokM] l gk.; d l pkyd vk; pñ] i qAs	fuokl h o\$ fd; vf/kdkj h i nkp vfrfj Dr dk; Hkj	i qAs	20 'A; k vk; pñ d{A l l w l okā pkj j Q.Ay; } i qAs 411001	&&&&	MkW vj Q.A tkedj] vf/A'Bkrk] l l w l okā pkj j Q.Ay; } i qAs-

c l gk.; d 'kkl dh; ekfgrh vf/kdkj h-

v-dz	l gk.; d 'kkl dh; ekfgrh vf/kdkj hps uko	i nuke	dk; ksk	i Rrk\$ i Qsu	b&esy
&	&	&	&	&	&

d- vfi yh; vf/kdkj h

v-dz	vfi yh; vf/kdkj hps uko	i nuke	dk; ksk	i Rrk\$ i Qsu	b&esy	; kP; k vf/kuLr 'kkl dh; ekfgrh vf/kdkj h
1)	MkW vj Q.A tkedj]	vf/A'Bkrk] l l w l okā pkj j Q.Ay; } i qAs	i qAs	26128000 foLrkj 301	email deanbjmcpune@gmail.com, jamkar@gmail.com ,	o\$ k l fj rk i nhi xk; dokM] fu-o\$ v- (vk; pñ)

Vhi % 'kkl dh; ekfgrh vf/kdkj h\$ l gk.; d 'kkl dh; ekfgrh vf/kdkj h\$ vfi yh;
 i kf/kdkj h psuko o i nuke BGd v{kj kr n'kŷh; fBdk.kh vFkok Lokxr d{kktog
 i QydkOnkj sykoko-
 ojhy ekfgrhpk i Qyd n'kŷh Hkkxkoj dk; kŷ; kP; k njoktkckgj yko.; kr vkysyk
 vkgs

ekfgrhpk vf/kdkj d{A ; 'hnk

dye 4 (1) (c) (xvii)

i qks; fkhv vf/A'Bkrk] 20 'A; k vk; pñ d{A l l u l okā pkj j Q. ky; } i qAs
dk; kzy; krhy i zdk'khr ekfgrh-

~~~~~ ykxwgr ukgh ~~~~~

dye 4 (1) (d)

I oā kekū; ykdkākh l c/khr egRokpsfu.kz o /kkj .ks; kph ; knh i zdk'kuk dfj rk r; kj  
dj .ks o forj hr dj .ks

ykxwgr ukgh-

dye 4 (1) (M)

I oā k/kkj .ki .ks vki Y; k dk; kzy; kr gkskk&; k i zkk l dh; \$ v/kū; k; hd dkedktkP; k  
i zdkj kph ; knh r; kj dj .ks ?kr yY; k fu.kz kckcr dk; Z dj .kkph eheda k ; ki qsn s; kr  
; bzy vl stkg hj dj .ks

~~~~~

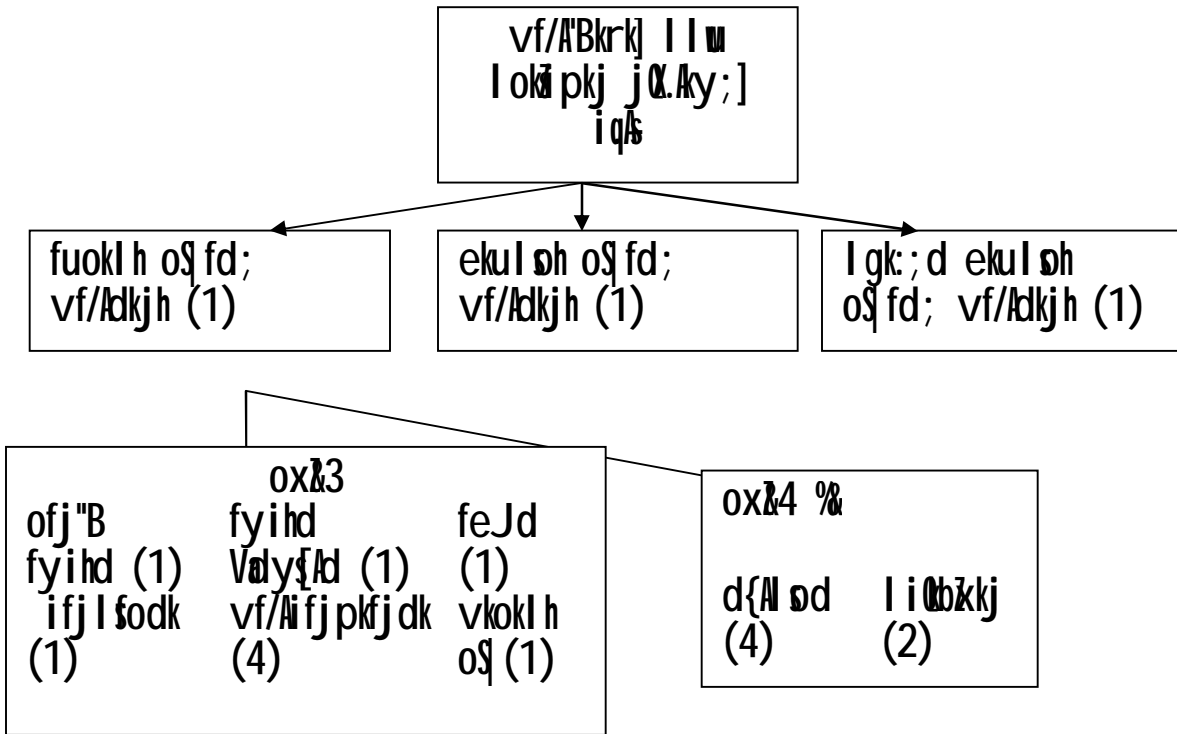
Vhi % ykdikf/kdkj h \$ 'kk l dh; ekfgrh vf/kdkj h gs l p uk i Qyd \$ oržekui_k
I kožtfud l p uk] i l kj ek/; eš l p uk i l kj .k] bā/ j uš/ b- pk mi ; kkk ekfgrhP; k
i l kj kl kBh dj rs

~~~~~

fuokl h oš fd; vf/Adkj h]  
20 'A; k vk; pñ d{A l l u l okā pkj  
j Q. ky; } i qAs 411001

1) ekfgrhpk vf/Adkj vf/Au;e 2005 psdye 4(1) [A ud kj 17 ckchjhy ekfgrh [Akyhyiek.As

1) vkiyh jpuk dk;zo drD;s;kpk ri'Any



dk;zo drD;s

l l u lokā pkj jQ.Ay;krhy 20 'A;k vk; qnhd d{A l l u lokā pkj jQ.Ay;} iqAs gk foHkx Government of Bombay, Local Self Government and Public Health Department, Resolution No. ADR-1053, Bombay Castle Dt. 19th April, 1954 vU;s 1954 ikl u l l u lokā pkj jQ.Ay;} iqAs ;As dk; jr vkgs 'A l fd; Lrjkoj ckg;jQ.A o vkrj jQ.A d{Ar vk; qnhd fpdfRI k i/nrhud kj fpdfRI k o ipdezmipkj dj.A rlp vk/Aud 'A\_L\_A o vk; qnhd 'A\_L\_Aud kj nkggh 'A\_L\_Apk ryukRed vH;kl dj.As ;kl kBh vkrj jQ.Akr 20 [Akv miyC/A vkgs-drD;s %

1) ;k foHkxkr 1 fuokl h oS fd; vf/Adkj h] 1 ekul sh oS fd; vf/Adkj h] 1 lgk;d ekul sh oS fd; vf/Adkj h] o 1 vkokl h oS v'An ekstdhp eAuj ins vkgs- R; kP; kdM u 'A l fd; Lrjkoj ckg;jQ.A o vkrj jQ.A foHkxkrhy 20 'A;k jQ.Aoj ipdezo vk; qnhd; fpdfRI k dj.As

vki ysvf/Adkj h o deþkj h ; kpsvf/Adkj o drD; s

2) fuokl h oš fd; vf/Adkj h  
rki Ad drD; s

- 1) vko'; drk v l sy r fA ckg; j Q. A foHArhy j Q. A fpfdRI k dj .A
- 2) vko'; drs d kj vR; k; hd j Q. Ad j Q. Al ok nsA
- 3) loz rki Ad ckchps j Q. A 0; oLFAr o v | ; kor B. A
- 4) fo | k; kps fDy fud oŠki Ad dj .A o R; kl kBh vko'; d R; k ckch  
i j fo. A
- 5) fo | k; kph miLFArhoj i kg. h o fu; aA-
- 6) l h fA i e fA h l ki foyš; k oŠko Gh l khryš; k tckcnk& k ikj i M. A  
i z kl fud drD; s
- 1) l h fA i e fA h u e u fnyš; k loz fu; ekps d v d kj i .A i ky u gkšy gs  
i kg.; kph tckcnkj h fuokl h oš fd; vf/Adkj h ; k; koj j kg hy-
- 2) l h fA ; k ekx. h u d kj v k s v h | ; a l l k f g R; b- ekxfo.; kph tckcnkj h  
fuokl h oš fd; vf/Adkj h ; kps j j kg hy-
- 3) l h fA rhy loz ckchps 0; oLFAr o v | ; kor fu; kst u- Bj kfod  
v r j kus ox ox G; k foHAr kph vpkud ukmog; k; k rikl .h dj .A  
mnk- tMl xz ukmog h | v k s v h tek [ p o z ukmog h-
- 4) j Q. Ky; kpk fu; fer o vpkud j km ? A
- 5) j Q. Ky; k rhy f'Ar o l k b l fo / k l g t f j R; k j Q. Ad feGrkr dh ukgh  
gs i kg. A r l p v k s v h forj . A 0; oLFAr j L o P N r k j j Q. Ad i j foyk  
tk. A j k v k g j ] l e f / Ar h A m k j foHAr v k s v h o brj j Q. Ky; hu  
l e f / Ar x k s v h o j n s A j { A B o.; kph tckcnkj h-
- 6) l h fA i e fA h ; k v u q f L F A r h r j Q. Ky; hu d kedtkoj i e fA kl kj [ h  
tckcnkj h ikj i M. A
- 7) vkokl h oš ] vR; k; d fpfdRI k oš v k f. A brj rki Ad ox ] ox & 3 ]  
ox & 4 gs fuokl h oš fd; vf/Adkj h ; k; k fu; a A k [ A y h v l rhy-
- 8) j Q. Ky; hu l Y y k x k j l ferhph c B d vk; k š tr dj .A
- 9) l h fA i e fA h o Š k o Gh l khryš; k tckcnk& k ikj i M. A

2) ekul oh o l gk; d ekul oh oš fd; vf/Adkj h

- 1) i R; d ekul oh oš fd; vf/Adkj h i R; d fno' h fdeku pkj rkl  
miLFAr j kg hy-
- 2) R; kpk i R; d dkekP; k vkBoM; kpk v g r k d kj h dkyko/ h 24 rkl  
brdk v l sy-
- 3) i R; d ekul oh oš fd; vf/Adk& ; k oŠk vf/ A Ad kus r; kj d s yš; k  
oŠki Ad ku d kj fuf' pr dj .; k r ; rhy-
- 4) ekul oh l gk; d ekul oh oš fd; vf/Adk& ; k y k n j e g k j Q 250  
brdseku/ Au ns; k r ; r s
- 5) i R; d ekul oh oš fd; vf/Adk& ; kpk inko/ h j k T; 'A l ukps l ek/ Au  
gkšy v' k i z k j s , d k o' k p k i f j fo { A f / Au dkyko/ h i w l d š ; k u r j

ekfgrhpk vf/Adkj d{A ; 'h k



ikj h h ikp o"Æ brdk jkghy-

ofj"B fyihd

foHkxkps vLFki uk\$y{A fo"A; d l i w l dkedkt ikg.Æ

1) vLFki uk fo"A; d dkedkt jtk eaj dj.Æ l oki qrdsv | ; kor Bø.Æ o ; kl æ d hr i \_D; ogkj dj.Æ

2) y{A fo"A; d dkedkt & ok"Æ d vFh dYih; vñkti \_d o l d k f jr vñkti \_d r; kj dj.Æ oru n s dso brj vkdfled [A k ph n s ds r; kj dj.Æ o R; kl æ d hr brj i \_D; ogkj dj.Æ

fyihd Valy{A kph (ukm. h fyihd) drD; s

1) l dk Gh ckg; j Q. A k fu; eku d kj 'kl fd; i korh n w j Q. Ai f \_Adk nsÆ ekf l d j Q. Av goky r; kj dj.Æ o l pkyuky; kl l knj dj.; kph dk; ðkgh dj.Æ

2) r n e r j ofj"B fyihd ; k u k v L F A \$ y { A f o " A ; d d k e d k t k r e n r d j . Æ V a l y { A u d j . Æ

feJdkph drD; s

1) v k r j j Q. A o c k g ; j Q. A k u k v k ; p ñ h ; v k S V h f o r j . A d j . Æ

2) r i C ; k r v l y y ; k v k ; p ñ h ; v k S V h a l æ d h r u k m o g ; k v | ; k o r B ø . Æ o R ; k o j f u o k l h o s f d ; v f / A d k & ; k p h L o k { A i j h ? Æ Æ

ifj l s o d k i n k p h d r D ; s

1) v k r j j Q. A d { A i w h i . Æ i f j l s o d B ; k f u ; a A k [ A y h v l r k s

2) d { A r h y l o z d k e s o x & 3 o 4 d e p k & ; k ð ; k l g d k ; k u s i w l d j . Æ

3) f ' A d k m Q i f j p k f j d k u k i f ' A A A d k y k o / h r t s f ' A d f o y s t k r s r s i R ; { A r d k e d l s d j k o s ; k c k r e k x h ' h u d j . Æ

4) i d f ' A r j Q. A k p h o s f d ; v f / A d k j h ; k u h o s f d ; r i k l . h d j . ; k d f j r k ; k k ; r h 0 ; o L F A d j . Æ

5) j Q. A k u k n s i n u v k S V A o t o . Æ o G o j f e G r s d h u k g h g s i k g . Æ

6) o k m p h L o P N r k j t o . A k p h L o P N r k j j Q. A k p ; k L o P N r B ; k n = V h u s l o z d k e s i k g . Æ

7) t o . A k p h ; k k ; i e k . A r e k x . h d j . Æ v k S V h p s e k x . h i \_ A d d j . Æ o f o " A k j h v k S V h s l g f { A r B ø . Æ

8) j Q. A i d f ' A r d j . Æ f u x T e r d j . Æ R ; k u k n s ; k a r ; s A & ; k v k S V h s i p k j ] i p d e z m i p k j c k r u k m o g ; k B ø . Æ

9) t M l a z g u k m o g h v | k o r B ø . Æ o G k o S h t M l a z g k p h r i k l . h d j . Æ

10) v f / A d ] v f / A l s o d k j f u o k l h o s f d ; v f / A d k j h ; k u h o k M k p k j k m Q ? A r k u k m i f L F A r j k g u l g d k ; Z d j . Æ

11) j Q. A k p ; k u k r o k b z k a l M u d { A l o d ] l i Q b z k j f d o k v f / A i f j p k f j d k ; k u h d k g h i s s v f b k H A v o L r w ? A n 0 u ; s ; k p h n { A r k ? A r y h i k f g t s

12) v R ; o L F A j Q. A k c k r f d o k ' A l \_ f d z ; s k r ; k k ; r h v k o ' ; d e k f g r h v f / A l s o d y k n s Æ

ekfgrhpk vf/Adkj d{A] ; 'h k

- 13) HAV.; kP;k oG0; frfjDr ukrokbd d{Ar ;sAj ukghr ;kph n{Ark ?AAs
- 14) d{Arhy ox&3] ox&4 deþkj] oSfd; if'A(AAFhZ g; kpsñ l kStU; kuš  
l gdk; kUsokx.As
- 15) xW] ykbW] i fAs foukdj.A oki jys tk.Aj ukghr ;kph n{Ark ?AAs
- 16) d{AP;k dkedktkl cAAr ofj"Bluh oGkOGh l khrysh dkes ikj i M.As

vf/Ai fjpkfjdk inkph drD;s

- 1) ifj l sodP;k vuiflFArhr d{Arhy dkedtkpsfu; kStu dj .As
- 2) d{AP;k dkedktP;k fu; kStukr ifj l sodsyk enr dj .As rlp ifjp; kZ  
if'A(AAFhZ dkedkt f'Adfo.; kAr ifj l sodsyk enr dj .As
- 3) d{Ad kBh ylx.A&; k ckchph fofo/A foHkxkdMm mnk- vksVf fyuu]  
LoPNrk l kfgR; b- ckcrph elx.Ah dj .As
- 4) j Q.A 'ApYk dj .As
- 5) i pdeñi pkj djrkuk miflFAr jkgm MKDVjkauk l gdk; Zdj .As
- 6) d{Arhy ox&4 deþk&; kP;k dkedtkoj y{A B0.As
- 7) ox&4 deþk&; kMm j Q.A/kqkj forj.A djhr vl rkuk y{A B0.As
- 8) i dS'Ar >kyY; k j Q.A/ckcr MKDVjkauk 10 fefuVP;k vkr ekfgrh nsAs
- 9) j Q.AP;k ifjflFArhckcr MKDVjkauk voxr dj .As
- 10) l dkGh vkyY; k vf/Ai fjpkfjdsis i EAe jk AP;k M; WHP;k  
vf/Ai fjpkfjdsMm j Q.Avgoky ?AAs i R; d j Q.Ad HAVm vKLFAsis  
i R; dkph fopkj i W dj .As
- 11) njjkt l dkGh ifj l sodsyk vknY; k fno'AP;k dkedtkph ekfgrh nsAs

d{A l od inkph drD; s

- 1) vkrjj Q.A foHkxkr iof'Ar dyy;k j Q.Aak oxoxG;k rikl .h o  
pkp.; kdfjrk vko'; d R;k foHkxkr ?h u tk.As
- 2) j Q.Aak ikdxgkr u vkgkj vk. Au R; kpsokVi dj .As
- 3) vkrjj Q.A foHkxkph LoPNrk dj .As
- 4) oS fd; vf/Adkj h\$ifj l o d\$vf/Ai fj pkfj dk ; kah oGkoGh l kchrysh brj  
j Q.Ay; hu dkes

l i Qbzkj inkph drD; s%

- 3) j Q.Ay; kchry LoPNrkxgkph LoPNrk dj .As
- 4) oS fd; vf/Adkj h\$ifj l o d\$vf/Ai fj pkfj dk ; kah oGkoGh l kchrysh  
brj j Q.Ay; hu dkes

- 3) fu.Æ ?As; kP;k ifdh; s vudj.; kr ; skjh dk; z/nrh r l p i ; b\$AA vkf.A  
mRrjnkf; Ro izkyh  
loz depk&; kah u e u fnyY;k dkeP;k okV.khuq kj R;k R;k foHkxkrhy  
fuokl h oS fd; vf/Adkj h] oS mi vf/A{Ad] oS fd; vf/A{Ad] vf/Ai f o d k] dk-  
vf/A{Ad] izkkl fd; vf/kdkjh ; kps i ; b\$ k.kk[ kyh dkes dj u ?kryh tkrkr-  
iR; d idj.kh depkjh o vf/kdkjh fopkj fofue; \$ppkz dj u fu.kz ?krys  
tkrkr- dkekdkt gkrkGrkuk gskk&; k loz i k0; ogkj kuq kj ipfyr 'kkl u  
fu.kz \$l p u k \$ i f j i \_ k d \$ l f k k ; h v k n s k ; kuq kj v h ; k l d j u i d j . k s l k n j d y h  
tkrkr vf/A{Bkrk] 20 'A;k vk; pñ d{A l l u l okã pkj j Q.Ay;] iqAs  
; kP;k rikl .khuarj o R; kP;k vñre fu.Æ kuq kj iR; d idj.k fudkyh dk<ys  
tkrs fu.kz ifdz k foyækus u gkrk fofgr dkyko/khr dj u dkepk tyn  
fuiVkj k dyk tkrs vko'; d r o g k o f j " B d k ; k y ; k d M u u e k x z ' k z u ? k o u u  
idj.k Rofjr fudkyh dk&lt. kph n{krk ?kryh tkrs dk; kzy; kojrh v l ysh  
tckcnkj h 0; ofLFkri.k s i k j i k M . ; k P ; k n ð / h u s i R ; d i d j . k h n { k r k ? k o u u  
oGhp dk; bkgh dyh tkrs
- 4) Lor%ph dk; z ikj i k M . ; k l k B h R ; k p s d M u u B j f o . ; k r v k y s h e k u d s  
'kkl fd; fu; e \$ v k n s k ; kuq kj dk; kzy; krhy dk; z ikj i k M y h t k r k r -
- 5) R; k p s d M s v l y s s f d æ k R ; k p s f u ; a k . k k r v l y s s f d æ k R ; k p h d k ; z i k j  
i k M . ; k l k B h R ; k P ; k d e p k j h o x k d M u u o k i j . ; k r ; s k k j s f u ; e ] f o f u ; e ]  
l p u k f u ; e i q l r d k v k f . k v f H k y s k  
'kkl ukdM u u o G k o G h f u x t e r d j . ; k r v k y s s ' k k l u f u . k z \$ i f j i \_ k d  
\$ l f k k ; h v k n s k \$ l p u k f o p k j k r ? k o u u l o z d k ; z ( d k e s ) i k j i k M y h t k r k r -

- 6) R; kpdMs vl yY; k fdok R; kP; k fu; ak.kk[kkyh vl yY; k nLr, otkps i oxkpsfooj .k&  
 dk; kY; krhy l oZ dxni k\$uLR; k\$Nlr, ot ; kps 'kkl ukus Bj ouw fnyY; k i/nrhud kj v]c]d]M ud kj oxhdj .k dj U 0; ofLFkr tiw Boystkrkr-
- 7) vki ys /kkj .k r; kj dj .; kP; k fdok R; kph veyctko.kh dj .; kP; k l cdkr ykdakh fopkj fofue; dj .; kl kBh fdok ykdakMwu fuonusdsh tk .; kl kBh vflRokr vl yY; k dksR; kgh 0; oLFkp rik'ky-  
 ofj "B dk; kY; \$'kkl u ; kps dMwu /kkj .k Bj foys tkr vl u dkgh ; kstuk ekU; >kky; kl v'kk ; kstuk ; k dk; kY; keki Q jkfoyh tkr s i R; {k /kkj .k fdok ; kstuk ofj "B ikrGhoj fu.kZ ?ks; kr ; ouw R; kph veyctko.kh ; k dk; kY; kl l ki foY; kl rh ikj ikMyh tkr s /kkj .k Bj fo. ; kl kBh Lorak 0; oLFkk ; k dk; kY; kar vflRokr ukgh-
- 8) vki Y; k , d Hkx Eg.kw fdok l Yyk ns; kP; k iz kstukl kBh Eg.kw xBhr dsyY; k nksu fdok vf/kd 0; DrhP; k feGw cuyY; k eM[Gkp} ifj "knkp} l fer; kps vkf.k vl; fudk; kps foj .k] vfk.k R; k eM[GkP; k] ifj "knkP; k l fer; kP; k vkf.k vl; fudk; kP; k cBdh ykdak kBh [kY; k vkgs fdok dl s fdok v'kk cBdph dk; bArs tursyk igko; kl feG.; ktksh vkgs fdok dl s; kckcrpsfooj .k-  
 20 'A; k vk; pñ d{A l l u l okā pkj j Q. Aky; } i qAs gk foHkx vf/A'Bkrk] l l u l okā pkj j Q. Aky; } i qAs ; kps izAk fd; fu; aA.A[kkyh dk; j r vkgs l l u l okā kj j Q. Aky; } i qAs P; k Lrj koj vH; kxr l ferh dk; j r vkgs
- 9) vki Y; k vf/kdk&; kph\$depk&; kph funf'kdk

| vuq dz | vf/kdkj h\$depk&; kpsuk o i nuke                                                                               | l oxL            |
|--------|----------------------------------------------------------------------------------------------------------------|------------------|
| 1)     | fuokl h oS fd; vf/Adkj h& fj Dr in oS k l fj rk xk; dokM] l gk; d l pkyd vk; pñ i qAs ; kpdMs vfrfj Dr dk; Hkx | ox&2 (jktif_kr)  |
| 2)     | oS k e/hj k dl cdj] ekul oh oS fd; vf/Adkj h                                                                   | ***&***          |
| 3)     | l gk; ; d ekul oh oS fd; vf/Adkj h & fj Dr in                                                                  | *****&***        |
| 4)     | Jherh ehj k l q/hj f'AJ l KV] ifj l fodk                                                                       | ox&3 (vjktif_Ar) |
| 5)     | l kS r=rh j kenkl i okj] vf/Ai fj pkfj dk                                                                      | ***&***          |
| 6)     | l kS l qAek l q/hj cge\$ vf/Ai fj pkfj dk                                                                      | ***&***          |
| 7)     | l kS uhrk byk; l l kykeu] vf/Ai fj pkfj dk                                                                     | ***&***          |
| 8)     | Jherh ekxkj v ?Akj i M\$ vf/Ai fj pkfj dk                                                                      | ***&***          |
| 9)     | l kS vatyh dkG\$ ofj "B fyid                                                                                   | ***&***          |
| 10)    | Jh- i g QARre HA- ykM] fyid Valys Ad                                                                           | ***&***          |
| 11)    | Jh- l nkf'lo HAw ckl kj feJd\$DYin                                                                             | ***&***          |
| 12)    | vkokl h oS (l ko/h in) & fj Dr in                                                                              | ***&***          |
| 13)    | Jherh pkj Qrk rdkj ke Hkxg\$ d{Al od                                                                           | ox&4             |
| 14)    | Jherh 'k j nk fo k/Aj viOpky\$ d{Al od                                                                         | ***&***          |

ekfgrhpk vf/Adkj d{A} ; 'hnk



|     |                                             |                                                                    |       |
|-----|---------------------------------------------|--------------------------------------------------------------------|-------|
| 13) | Jherh pkj Qrk røpkj ke<br>Hkæj} d{Al ød     | vk'okfl r iærh ; kstuk ykxw<br>&1, l ] 4440&7440]<br>xM is 1450\$& | 11006 |
| 14) | Jherh 'Ajk nk fo   k/Aj<br>vi Qpkj} d{Al ød | &1, l ] 4440&7440]<br>xM is 1300\$&                                | 9212  |
| 15) | d{Al ød & fj Dr in                          | #####                                                              |       |
| 16) | d{Al ød & fj Dr in                          | #####                                                              |       |
| 17) | Jh- gfj nkl y{e.A p0gk.Aj<br>l i Qbækj      | dkyc/n inkburh ; kstuk ykxw<br>&1, l ] 4440&7440]<br>xM is 1450\$& | 14267 |
| 18) | Jh- vfuy Nk/syky<br>funkfu; k] l i Qbækj    | vk'okfl r iærh ; kstuk ykxw<br>&1, l ] 4440&7440]<br>xM is 1450\$& | 11171 |

11- loz ; kstukpk rif'ky] iærkfor [kpl n'kfo.kkj k] vki Y; k i R; d  
vfHkdj .kkyk uæw fnsyk vfk dVi vkf.k l forj hr dsv; k j dekpk  
vgoky-  
; k dk; ky; kpk ekxhy 3 o"ærhhy oru o oruRrj ckchoj >kky; k [kpkpk  
rif'ky [kkyhy iæ.k.s%

2006-2007

|    | mfne"V           | j Q; sgtkj kr |
|----|------------------|---------------|
| 01 | oru              | 2001          |
| 03 | iðkl [ApZ        | 0             |
| 05 | dk; ky; hu [ApZ  | 3             |
| 33 | l kexh o i g oBk | 87            |
| 54 | l æ.Adkojhy [ApZ | 9             |
|    | , dW A           | 2100          |

2007-2008

|    | mfne"V                        | [ApZ j Q; sgtkj kr |
|----|-------------------------------|--------------------|
| 01 | oru                           | 1829               |
| 11 | iðkl [ApZ                     | 1                  |
| 13 | dk; ky; hu [ApZ               | 2                  |
| 17 | l æ.Adkojhy [ApZ              | 7                  |
| 21 | l kexh o i g oBk              | 171                |
| 52 | ; aAl kexh o<br>l k/Au l kexh | 0                  |
|    | , dW A                        | 2010               |

2008-2009

|    | mfne"V | [ApZ j Q; s<br>gtkj kr |
|----|--------|------------------------|
| 01 | oru    | 2215                   |

#####  
ekfgrhpk vf/Adkj d{A] ; 'Ank

|    |                              |      |
|----|------------------------------|------|
| 06 | nij/ouh oht o ik.h           | 0    |
| 11 | ns/kaxr iðkl [Apz            | 2    |
| 13 | dk; kÿ; hu [Apz              | 12   |
| 17 | l a.lðkojhy [Apz             | 19   |
| 21 | l kexh o ig oBk              | 291  |
| 52 | ; a l kexh o<br>l k/A l kexh | 34   |
|    | , d u A                      | 2573 |

12- vFkã gk; dk; ðækP; k væyctko.khph jhr rlp okVi dÿÿ; k jdek  
vkf.k v'kk dk; ðækP; k ykHkkf/kdk&; kpk rif'ky-

-----fuj d -----

13- T; k 0; Drhuk loyrh\$ijokus fdøk i kf/kdkji\_ks fnÿÿh vkgr v'kk  
0; fDrpk rif'ky  
0; fDrhuk loyrh\$ijokusfdøk i kf/kdkji\_ks ns; kps vf/kdkj ; k dk; kÿ; kl  
ul u gh ckc ; k dk; kÿ; kP; k dkedktr ekMr ul Y; kus gk epæk ykxw  
gkr ukgh-

14- byDVkUd Loj Gi kr R; kl mi yC/k vl yÿ; k fdøk R; kP; kdMs vl yÿ; k  
ekfgrhP; k l cãkkrhy rif'ky-  
; k dk; kÿ; kr bÿjuÿ/ph l ks mi yC/A ukgh- bÿjuÿ l ks mi yC/A  
>AY; kurj ekfgrhP; k vf/kdkj krhy dye 4 vaxr ckc dz 1 rs 17 ph  
ekfgrh bÿjuÿ/oj mi yC/k dj u ns; kph dk; ðkgh Rojhr dj .; kr ; bÿ-

15- ekfgrh feGfo.; kl kBh ukxfj duk mi yC/k vl .kk&; k l fo/kkpk rif'ky  
rlp l kozfud oki jkl kBh pkyfo.; kr ; s vl yÿ; k xkkky; kP; k fdøk  
okpuky; kP; k dkedktrP; k oGkpk rif'ky-  
xkkky; fdøk okpuky; gh ckc ; k dk; kÿ; kP; k dk; ð{kr ; s ul Y; kus  
ykxw gkr ukgh- dk; kÿ; kP; k ekfgrh l cãkh rif'ky bÿjuÿ/oj mi yC/k  
dj .; kr ; s vkgs

16- tu ekfgrh vf/kdk&; kph ukos i nukes vkf.k brj rif'ky  
ox&2 ps , dp in vl Y; kus tu ekfgrh vf/Adk&; kph ue. Ad dj .; kr  
vkÿÿh ukgh-

17- fofgr dj .; kr ; bÿ v'kh brj ekfgrh] ifl /n djhy vkf.k R; kurj  
njo"khZ rh iðk'kus v | ; kor djhy-  
brj ekfgrh fuj d vl u dk; kÿ; kl cãkph ekfgrh ojhy i æk.ks ckc dz  
1 rs 16 e/; s ns; kr vkÿÿh vkgs rh ekfgrh dk; eLoj Gi h bÿjuÿ/oj  
mi yC/k dj .; kr ; bÿ-

fuokl h o\$ fd; vf/Adkj h  
20 'A; k vk; pñ d{A l l w l okā pkj  
j Q. Ky; ] i qAs 411001